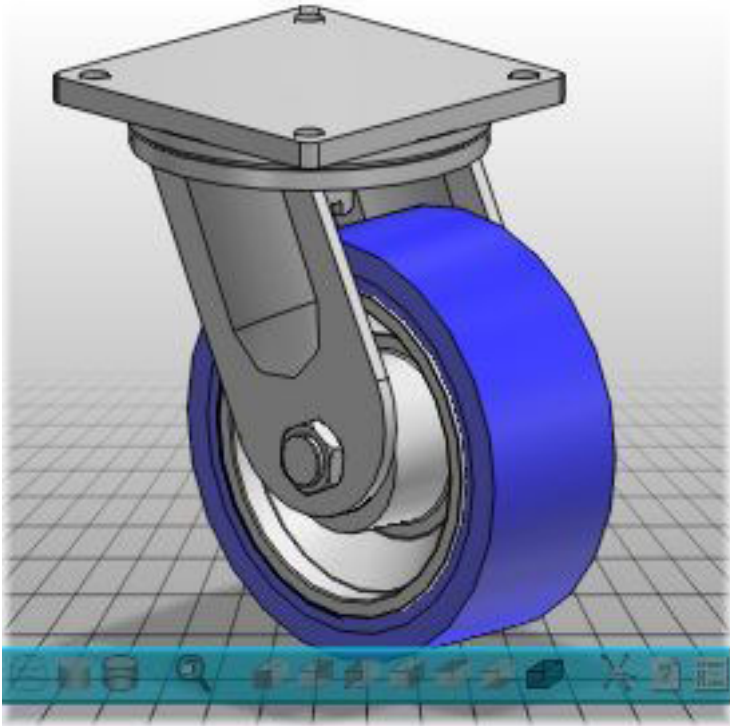


## Catalogs In The Third Dimension



**PARTsolutions** (Milford, OH) has expanded its partnership with Hamilton Caster to supply and embed its 3D cataloguing software directly to the Hamilton website. When Hamilton wanted to make CAD a more integral part of its customers' product selection, PARTsolutions offered their software, which can help automate the process of creating, migrating, and translating 3D content. This new agreement between PARTsolutions and Hamilton Caster allows customers to see the 3D CAD diagrams directly on Hamilton Caster's website, which allows engineers to download digital products and integrate them into their digital designs.

*For more information on the software that brings catalogs into 3D, visit [www.partsolutions.com](http://www.partsolutions.com) [1].*

*To check out Hamilton Caster's 3D catalog, head on over to [www.hamiltoncaster.com](http://www.hamiltoncaster.com) [2].*

**Source URL (retrieved on 03/06/2015 - 4:46am):**

[http://www.impomag.com/products/2009/11/catalogs-third-dimension?qt-recent\\_content=1](http://www.impomag.com/products/2009/11/catalogs-third-dimension?qt-recent_content=1)

### Links:

[1] <http://www.partsolutions.com/>

## **Catalogs In The Third Dimension**□

Published on Industrial Maintenance & Plant Operation (<http://www.impomag.com>)

---

[2] <http://www.hamiltoncaster.com/>